



ADVANCED MATERIALOGRAPHY

OPAL X-PRESS

World's first modular hot mounting press
with one-hand sliding closure

NEW



part of **VERDER**
scientific



High-lights

- ▶ High modularity to meet specific customer needs
- ▶ Dust Guard:
Removes fine dust to improve safety
- ▶ Basic unit supports all additional pressing units
- ▶ Pre-heat function:
Reduces cycle time
- ▶ Cooling management:
Different cooling modes selectable,
environmentally friendly

Opal X-Press – Modular Hot Mounting Press

Combined & Fast Operation



Opal X-Press:
Basic unit 4 with 3 additional pressing units

The hot mounting press Opal X-Press was developed for fast, simultaneous mounting of several materialographic specimens which may differ in size and material. The modular design allows for individual configuration of each mounting process.

The Opal X-Press is available in two different basic units: **Opal X-Press 2** and **Opal X-Press 4**. These basic units include one pressing unit. The Opal X-Press 2 can be extended with 1 additional mounting unit and the Opal X-Press 4 even with up to 3 additional mounting units. These additional units can be operated independently and simultaneously.

A wide range of mould diameters is available from **25.2 mm, 30 mm, 1 ¼" (~32 mm), 1 ½" (~38 mm), 40 mm, 50 mm** - each diameter **with or without chamfer**. The sliding closure allows **easy one-hand operation**. The **Dust-Guard** (only in combination with the optional vacuum cleaner) **removes the fine dust** that emerges when filling the cylinder, thus **ensuring high occupational health and safety conditions**. The user interface consisting of a large **7" touch screen** offers high operating comfort. The intuitive smart phone inspired control software provides **pre-installed mounting methods**, consumables and offers the storage of more than **200 user-defined mounting methods**. Different user accounts with different access rights can be created to set operator limits, if necessary.

Product Advantages

- 7" touch screen user interface with intuitive ATM user software
- Sliding closure with comfortable one-hand operation
- Dust Guard removes fine dust to improve safety
- Fast mounting
- High modularity for both simultaneous and independently controlled mounting
- User account management with different access rights
- Pre-installed preparation methods and consumables
- Powder coated aluminum housing

www.atm-m.com/opal-x-press

The multi-functional button displays the selected mounting unit, facilitates the operation of the whole unit and indicates the operation state of the pressing unit by different colours (white = switched on; green = ready to mount; red = heating; blue = cooling).

Excellent modularity to meet your specific needs

Opal X-Press 2 – for medium quantity of mounts

The Opal X-Press 2 is the perfect choice for small and medium quantities of mounts. The basic unit already includes one pressing unit and can be extended with 1 additional mounting unit at any time. The additional unit is operated independently and simultaneously. It may be placed on the left or on the right side of the basic unit.



Additional pressing unit P-50

Opal X-Press 2 basic unit

Opal X-Press 4 – for large quantity of mounts

With the Opal X-Press 4 any kind of sample quantity can be handled comfortably. Up to 4 mounts can be done simultaneously and independently from each other which is ideal for handling large quantities of mounts. The basic unit includes one pressing unit and is extendable by 1, 2 or 3 additional mounting units any time. The diameter of the mount of each pressing unit is chosen individually by 25.2 mm, 30 mm, 1 ¼" (~32 mm), 1 ½" (~38 mm), 40 mm, 50 mm - each diameter with or without chamfer. The additional units can be placed on both sides of the basic unit.



Additional pressing unit P-50

Opal X-Press 4 basic unit

Additional pressing unit P-50



Easy handling

1. Fill the mould with the respective mounting material
2. Close the sliding closure by one-hand operation
3. Clean dirt trap as excess mounting material is automatically pushed towards it
4. Receive your mounted sample after fast mounting



Superiority in Detail

Clear, robust design made in Germany

Sliding closure

- One-hand operation
- Innovative design
- Safety closure under pressure
- Easy to operate
- Removable for cleaning upper ram
- Includes dirt trap

Mounting

- Fast mounting
- 4 different pressure modes
- Several cooling modes

Modularity

- Up to 4 different mount sizes
- Simultaneous mounting
- Independently controlled
- Status indication by the multi-functional button



Dust Guard

- Vacuums fine dust of mounting material
- Integrated in design of sliding closure

Pre-heat Function

- Pre-heating of mould
- Reduces cycle time
- Pre-heat temperature can be set manually

Control Interface

- 7" color touch screen
- Intuitive control software
- Pre-installed preparation methods and consumables
- Smart control modularity
- Diverse cooling and pressure modes
- Assistance function for easy use of the additional pressing units

Software - Intuitive, easy to use, and simply clever

Method	Temperature	Pressure	Cooling	Time
1	0°C	220bar	80%	08m:00s / 00m:30s
2	0°C	220bar	80%	08m:00s / 02m:00s
3	190°C	100bar	80%	08m:00s / 04m:00s
4	190°C	100bar	80%	08m:00s / 04m:00s

Status overview of fully equipped Opal X-Press

- Up to 200 user-defined preparation methods storable
- Pre-installed mounting recipes and consumables
- Assistance function for easy use of the additional pressing units

User account management:

- Administrator account
- Creating preparation methods
- Operator account
- Limited access

Maintenance:

- Pre-defined maintenance tasks
- User-defined maintenance intervals
- User defined maintenance tasks

OPAL X-PRESS at a glance

Modular Hot Mounting Press



Model

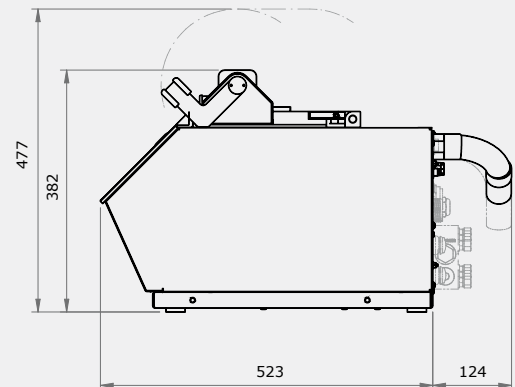
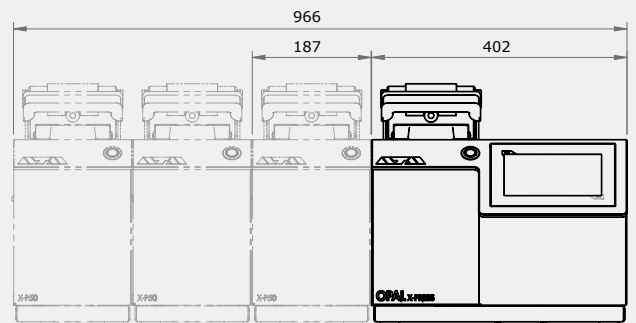
OPAL X-PRESS

Application	Hot Mounting of samples
Fields of application	High throughput applications, process control, research and development, failure analysis

Performance Data

Mould assembly	Ø 25.2 - 50 mm (6 different sizes)
Closure system	slide closure
Thermostat range	20 - 200 °C
Heating time	adjustable
Cooling time	adjustable
Max. pressure in mould assembly depending on mould assembly's size	250 - 350 bar

Technical Data	Basic unit	Pressing unit
Connection power	1.6 kVA	1.5 kVA
Heating power	1200 W	1200 W
Power supply	230 V/50 Hz or 110 V/60 Hz	230 V/50 Hz or 110 V/60 Hz
W x H x D	402 x 382 x 563 mm	187 x 382 x 449 mm
Weight (depending on equipment)	~ 50 kg	~ 42 kg
More information on	www.atm-m.com/opal-x-press	



Additional information



Vacuum cleaner – the heart of the Dust Guard



Modularity in diameter size and units



1. USB connector for data transfer
2. Network plug, e.g. for remote service
3. Plug-in for vacuum cleaner



ADVANCED MATERIALOGRAPHY

part of **VERDER**
scientific

ATM GmbH
Emil-Reinert-Str. 2
57636 Mammelzen · Germany

Phone +49(0)2681/9539-0
Fax +49(0)2681/9539-20

E-Mail info@atm-m.com
Internet www.atm-m.com

PREMIUM QUALITY



MADE IN GERMANY